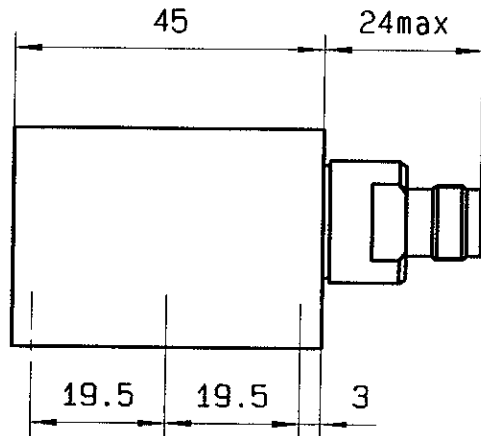
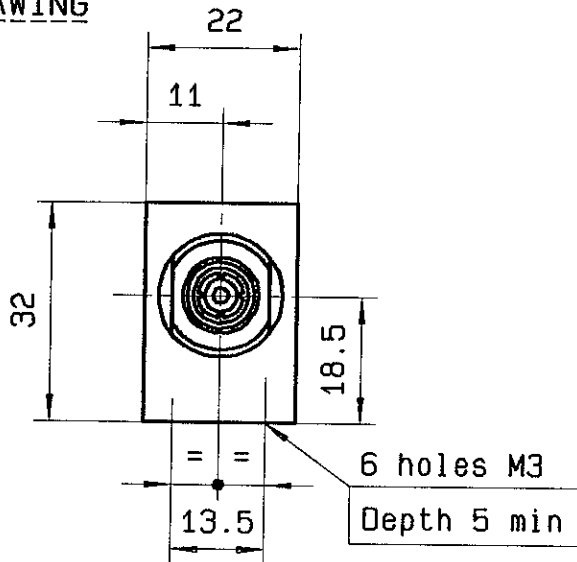


TITLE: 50 W 2GHZ TNC/fem COAXIAL TERMINATION

LTR. B

DRAWING



General tolerances: +/- 0.5 mm

ELECTRICAL CHARACTERISTICS

| | |
|------------------------|-------------------------------------|
| FREQUENCY RANGE | : DC - 2GHz |
| IMPEDANCE | : 50 Ohms |
| DC RESISTANCE | : 50 Ohms ± 5% |
| AVERAGE POWER HANDLING | : 25 W at 25°C |
| PEAK POWER HANDLING | : 50 W mounted on infinite heatsink |
| V.S.W.R : | DC - 1 GHz : ≤ 1.10 |
| | 1 - 2 GHz : ≤ 1.20 |

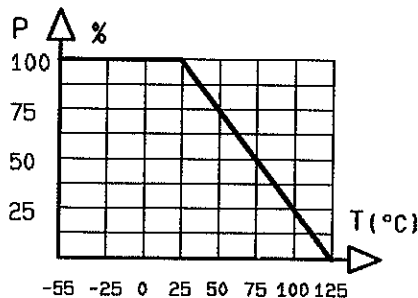
MECHANICAL CHARACTERISTICS

| | |
|----------------|------------------------------|
| CONNECTOR | : TNC female per MIL C 39012 |
| MAXIMUM WEIGHT | : 140 grams |

ENVIRONMENTAL CHARACTERISTICS

| | |
|----------------------------------|--------------|
| OPERATING TEMPERATURE RANGE (°C) | : -55 , +125 |
| STORAGE TEMPERATURE RANGE (°C) | : -55 , +125 |

Power derating Versus temperature



Tentative data subject to change without notice

| | | | | | |
|---|------------------|------------|-----|------------|-------------|
| PEN 95182 | QUALITY Dpt App. | | | | |
| | MO | B | | | |
| PAGE 1/1 | DATE 26.04.91 | NAME KL | B | New format | 03.11.92 PG |
| | | | LTR | REVISIONS | DATE APP. |
| RADIAL 101. Ph. Hoffmann - Z.I West - 93116 ROSNY/S/BOIS Cedex - FRANCE - Phone (33)(1) 49 35 35 35 - Tlx 335220F | | | | | |